



*Building & Architectural  
Solutions  
for Villa & Hotel Projects*

*RENOVATION & NEW PROJECT PACKAGE*

## About us?



GYPSA & BRILLANTEZ forge alliance to redefine hospitality spaces with comprehensive Interior and Exterior Solutions.

With a focus on the villas & hospitality sector, GYPSA & BRILLANTEZ have joined forces to deliver an extensive range of building products and solutions tailored for both interiors and exteriors.

Designed to elevate every facet of hotel environments, our offerings cater to diverse areas of your property, including:

- ❖ Reception/ Lobby
- ❖ Guest room & corridor
- ❖ Restaurant
- ❖ Kitchen
- ❖ Swimming pool & recreation

We boast manufacturing & fabrication facilities strategically located in the Northern Emirates of the U.A.E, dedicated to crafting a versatile array of products designed for a multitude of applications, comprising:

- ❖ False Ceilings & Drywall Partitions
- ❖ Access Panels for MEP services inspection and maintenance
- ❖ Roof & floor hatches
- ❖ Stainless Steel products such as drainage solutions, gratings, balustrades, water features and more

With precision engineering and unwavering quality standards, we ensure excellence across our product range, delivering solutions that meet the diverse needs of our clients.



Gypsa proudly operates manufacturing and fabrication facilities located in the vibrant Emirates of Sharjah and Ajman, strategically positioned within the U.A.E. Our extensive reach extends through sales outlets in Dubai and the Northern Emirates.

With a combined production and warehousing space spanning approximately 20,000 sq. ft, we ensure streamlined operations to meet the demands of our discerning clientele.

Backed by a seasoned core management team and supported by skilled professionals in production, technical expertise, and customer service, we have consistently delivered top-notch quality and reliability across our products and services.

With a decade long legacy in the industry, we remain dedicated to exceeding the expectations of our valued customers. At our core, we uphold an unwavering commitment to excellence in fabricating aluminium and steel products, precision CNC machining, sheet metal work, and mouldings.

Our dedication to maintaining exceptionally high quality standards is evident in our stringent production and control procedures, ensuring that each project is executed precisely to our clients' agreed specifications and to their complete satisfaction.

We firmly believe that customer satisfaction is not just a byproduct but the cornerstone of any thriving business. To foster sustainable relationships, we prioritize a customer-first approach, unwavering dedication, steadfast commitment, and the delivery of quality services. Our success hinges on effective teamwork, where collaboration with our clients plays a pivotal role.

In the dynamic landscape of the U.A.E, we have proudly completed numerous projects, consistently meeting and exceeding the expectations of our clients. Our track record speaks volumes about our ability to deliver exceptional results and forge lasting partnerships.

#### **Few Hotel Project References from Dubai :**

- ❖ The H Hotel
- ❖ Five Hotel
- ❖ Bvlgari
- ❖ Viceroy
- ❖ Premier Inn
- ❖ Rotana

# BUILDING ACCESS PRODUCTS

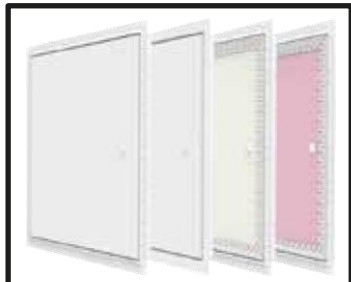
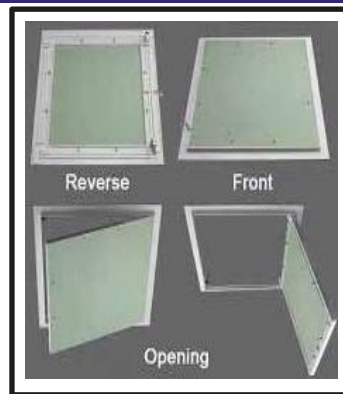
We manufacture an extensive range of access solutions for walls, ceilings and roof in a variety of materials such as galvanized steel, stainless steel, aluminium etc.

## ACCESS PANELS (WALL & CEILING)



- |                   |   |
|-------------------|---|
| <b>MATERIAL</b>   | ▶ Stainless Steel, GI, Aluminium                                |
| <b>TYPE LATCH</b> | ▶ Recessed (FR & Non FR), Screwdriver type, Allen key operated. |
| <b>HINGE</b>      | ▶ Continuous, Concealed & Spring assisted                       |
| <b>OPENING</b>    | ▶   |

Circular Access Panel	Standard Access Panel	Recessed Access Panel
-----------------------	-----------------------	-----------------------



Stainless Steel Access Panels Series SS1 | Tiled Access Panels Series TA1 | Customised Access Panels Series CT1 | Smart Access Panels Series SA1 | Hinged Access Panels Series HA1 | Circular Access Panels Series CA1 | GI Wall Access Panels Series GW1 | Roof Hatches | Floor Access Covers



## ROOF ACCESS HATCHES

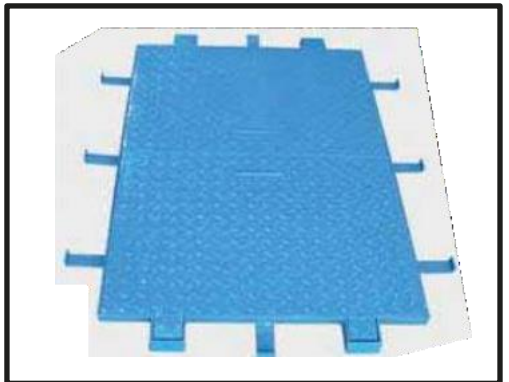
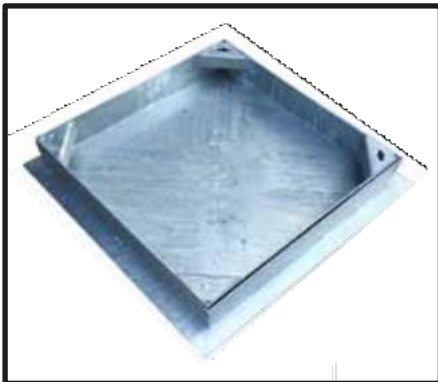
- |                      |  |
|----------------------|--|
| <b>MATERIAL</b>      | ▶ SS, Aluminium, GI                                    |
| <b>LATCH</b>         | ▶ Self Locking, Pad Lock                               |
| <b>OPENING COVER</b> | ▶ Spring assisted with hold open arm Single/Multi Leaf |
| <b>FRAME</b>         | ▶ Insulated/ Non-insulated, with fixing holes          |
| <b>FINISH</b>        | ▶ Brush/Mill, painted, powder coated                   |



## FLOOR ACCESS COVERS

### MANHOLES & WATER TANK

- |                   |   |
|-------------------|---|
| <b>MATERIAL</b>   | ▶ Stainless Steel, GI, Aluminium Flush,     |
| <b>TYPE LATCH</b> | ▶ Recessed (FR, Non FR), Screw driver type, |
| <b>HINGE</b>      | ▶ Allen Key operated                        |
| <b>OPENING</b>    | ▶ Continuous, Concealed, Spring assisted    |



# SS DRAINAGE SOLUTION

GYPSA drain range provides a single source for innovative drainage solutions that are designed to perform and engineered to last.

### Rain Water Outlet



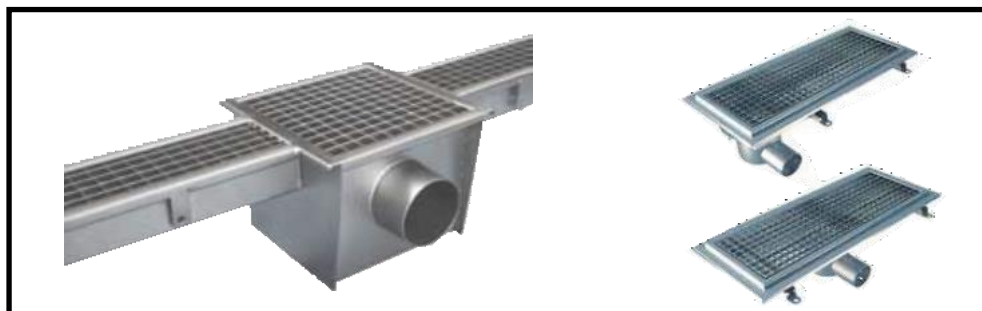
### Floor Drain / Traps / Gullies



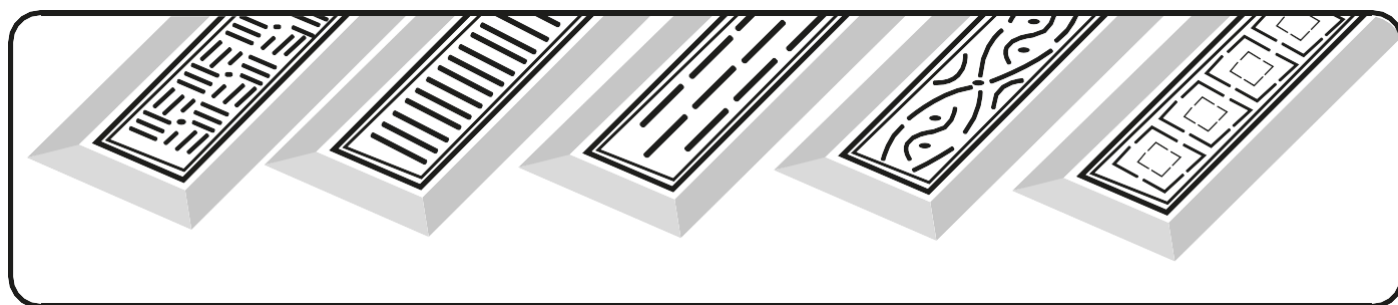
### Hooks



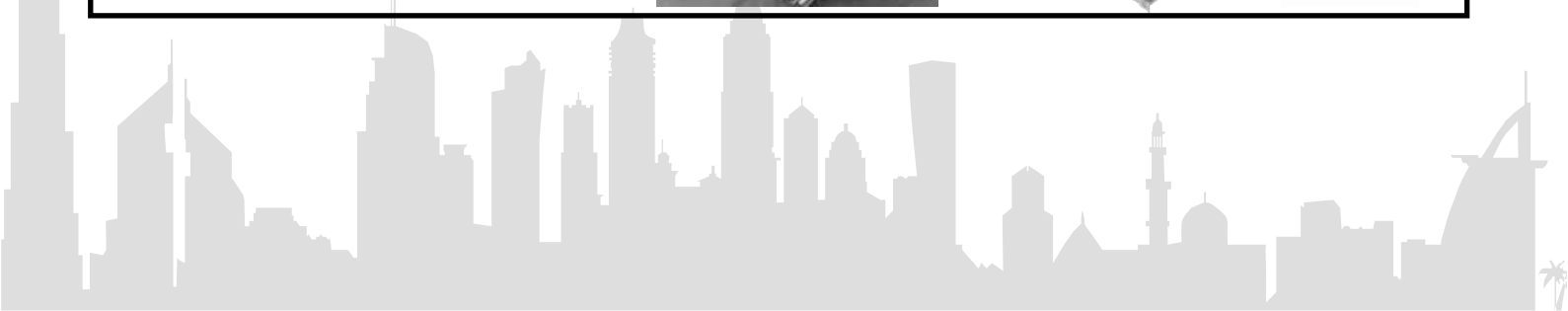
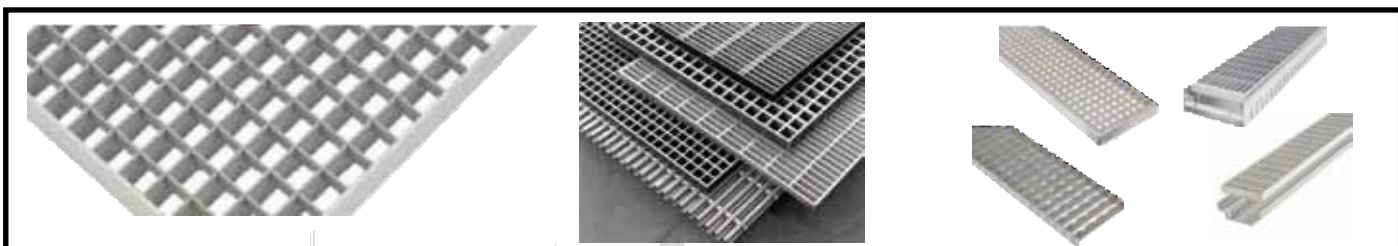
### Channels



### Linear Shower Drains



### Gratings



# DIFFERENT TYPES OF SS GRATINGS

Anti Slip Grating



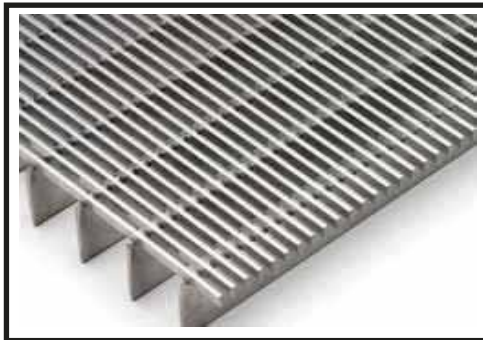
Steel Bar Grating



Tree Grating



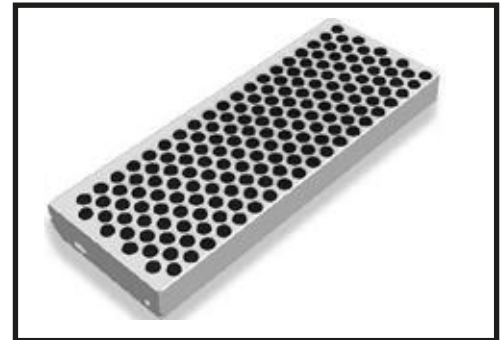
AC Grill Grating



Ablution Grating and Seat



Fish Market Grating



Decorative S S Grating



Swimming Pool Grating



Kitchen Grating



Recessed Type Grating



Safety Guard Grating



Ceiling Grating



# ARCH. & CUSTOM FABRICATION



Stainless steel is largely chosen for its corrosion resistance and aesthetic appearance. It is important to understand the factors which are involved in making a selection of both grade and surface finish. This will ensure that the performance of the product will match the project requirements and customer expectation.





# ARCH. & CUSTOM FABRICATION

## Lockers, Racks & Sofa Legs



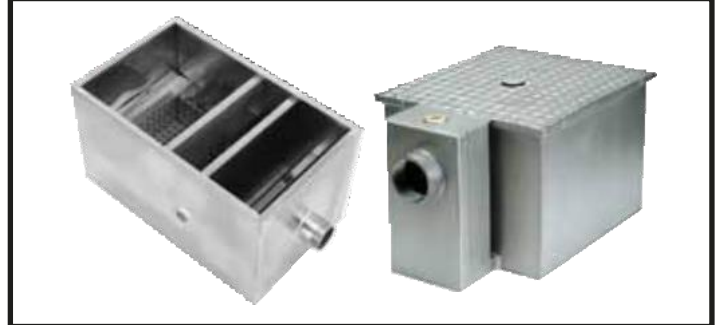
## Water Features



## Waste Management Products



## Interceptors



## S S Decorative Works

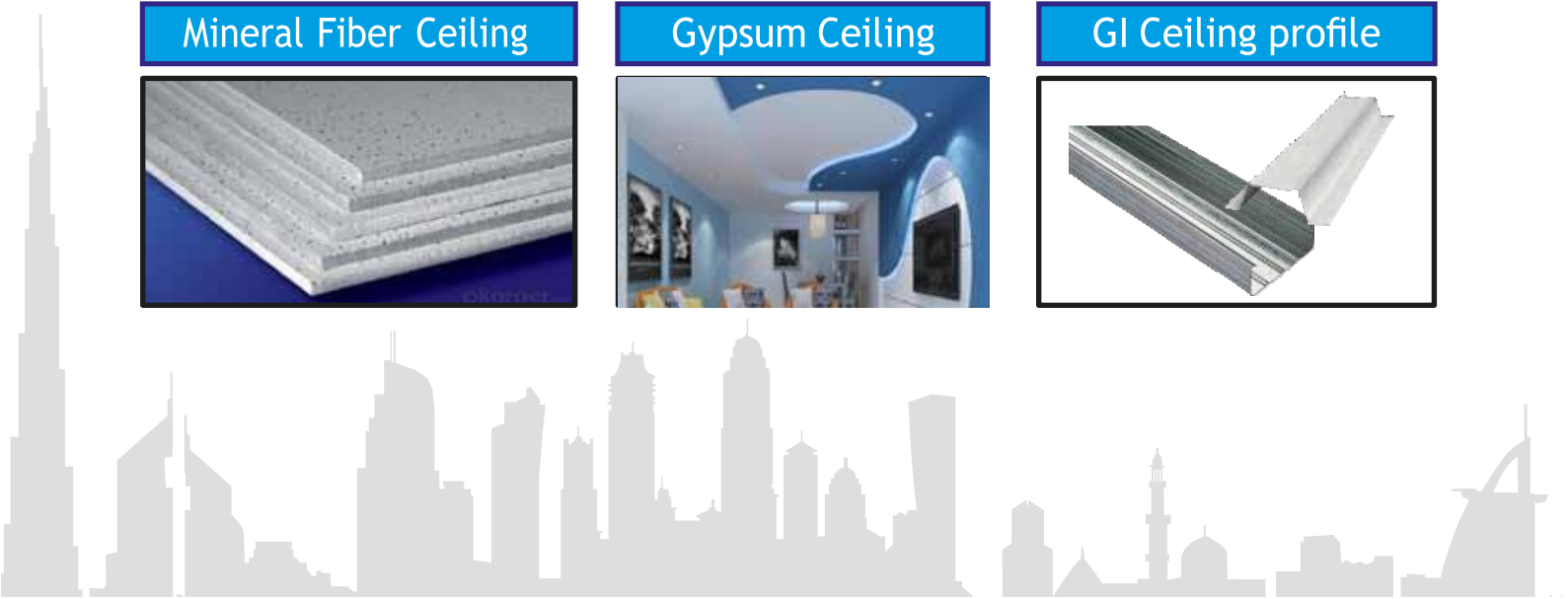
## Fire Hose Cabinet



# VARIOUS CEILING TILES & GRIDS

We can supply and install many different types of ceiling systems. Various options available including:

<p>T24/T15 grid</p> 	<p>Ultra line grid</p> 	<p>Open Ceiling System</p> 
<p>Mesh Ceiling</p> 	<p>Baffle Ceiling</p> 	<p>SS clip in Tile</p> 
<p>Strip Ceiling</p> 	<p>Aluminum Ceiling</p> 	<p>Woodwool Ceiling</p> 
<p>GRC Ceiling</p> 	<p>Gypsum Ceiling Tile</p> 	<p>CaSilicate Ceiling Tile</p> 
<p>Mineral Fiber Ceiling</p> 	<p>Gypsum Ceiling</p> 	<p>GI Ceiling profile</p> 



# PROFILES AND CHANNELS

We can supply and install different types of Drywall wall systems.  
Various system component options available as mentioned below:

**Drywall Profiles**



**Compounds**



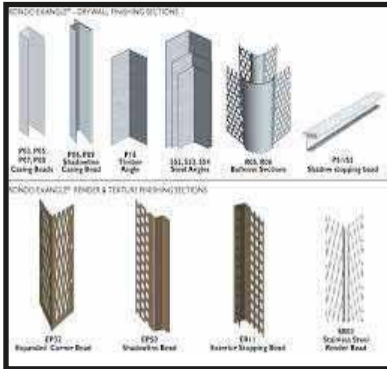
**Cement Board**



**Fasteners**



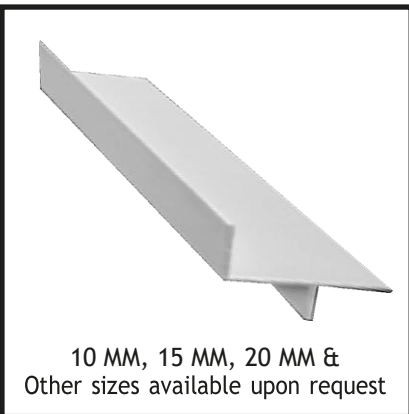
**Beadings**



**Gypsum Boards**



**F Channels**



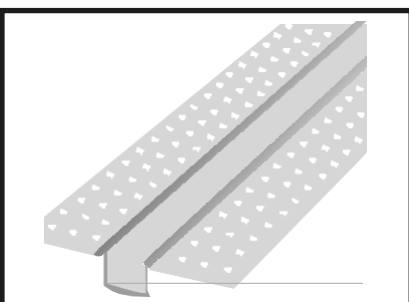
**Shadowgap Profiles**



**DB Anchors**



**Omega Channels**



**Acoustic Tapes**



**Curved Wall Angle**



# PROFILES AND CHANNELS

Cornices



MS Tubes & Angles



GI Coils



Backing Rod



SS & GI Nut Bolt



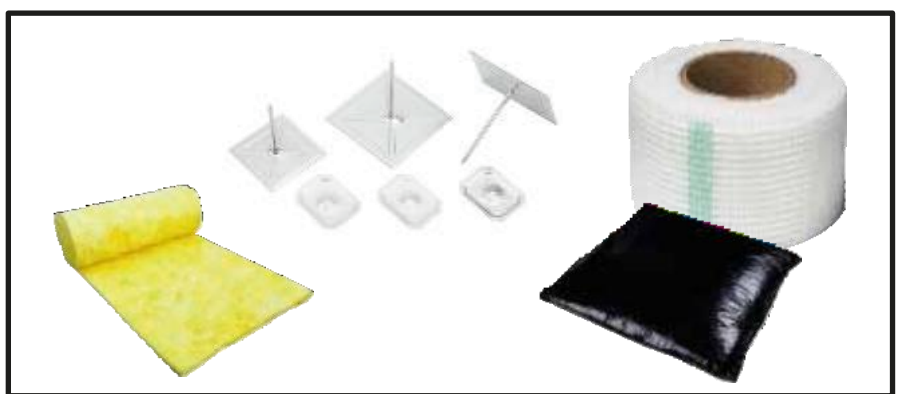
GI Bracket



SS & GI Threaded Rod



Insulation Pins



# COMMERCIAL KITCHEN EQUIPMENT



# COMMERCIAL KITCHEN EQUIPMENT



# DRY WALL PARTITION & CEILING

We under take all types of Drywall partition and ceiling contracting projects including various surface finishes, textured painting etc.

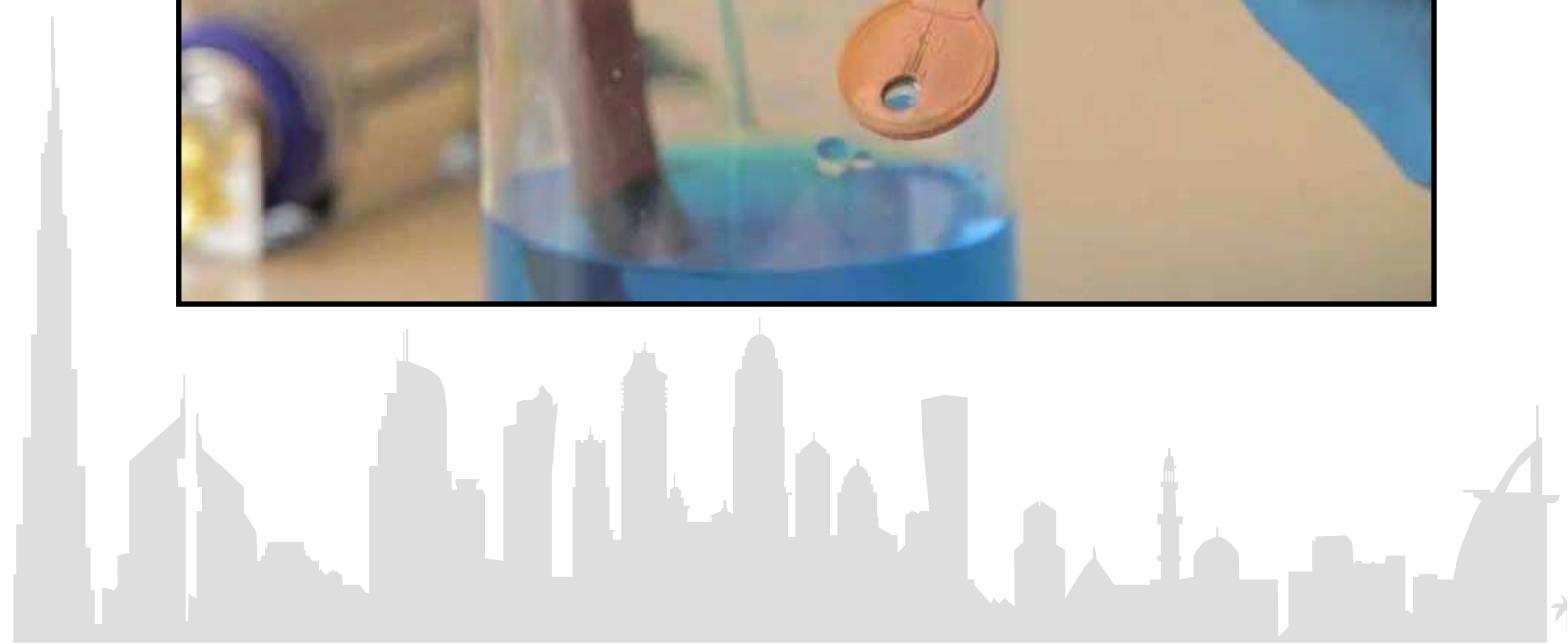
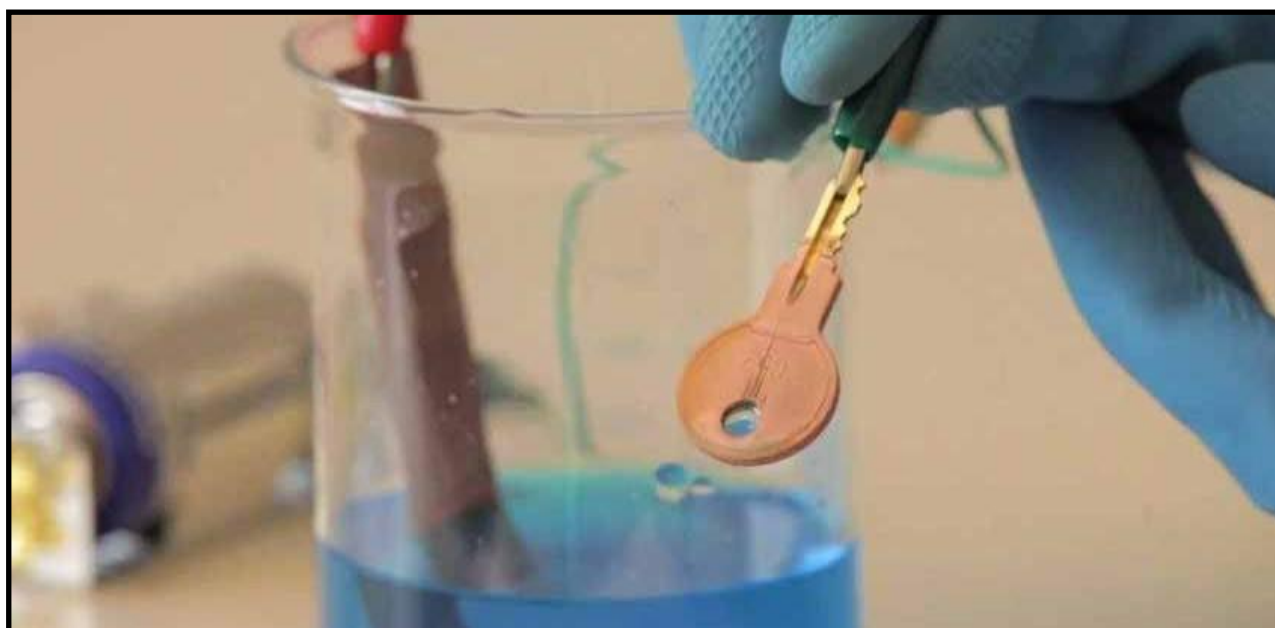


# POWDER COATING & ELECTROPLATING

## Powder Coating



## Electroplating Services







### Gypsa Group of Companies:

- Gypsa Trading FZC
- Gypsa Technical Services LLC
- Lamsat Al Ikhtayar Plaster & Tiles
- Addax Metal Industry LLC.

### Marketed By

BRILLANTEZ LLC-FZ

Dubai, United Arab Emirates

Ph: +971 55 288 1075

Email: [abbas.mehdi@brillantezz.com](mailto:abbas.mehdi@brillantezz.com)

